

# SUN SEAT

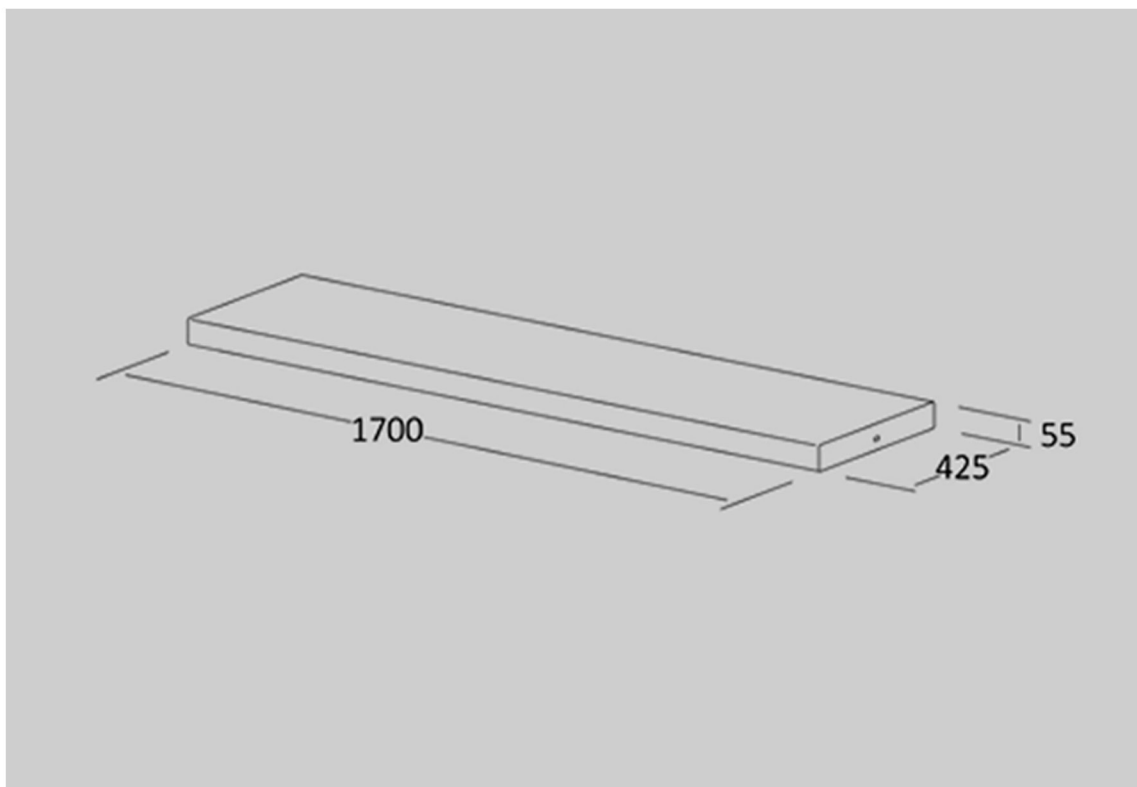
Technical specification



## DIMENSIONS:

### 1. BASIC model - smart solar board:

- Weight: 32kg
- Length: 1700mm
- Width: 425mm
- Height: 55mm



# SUN SEAT

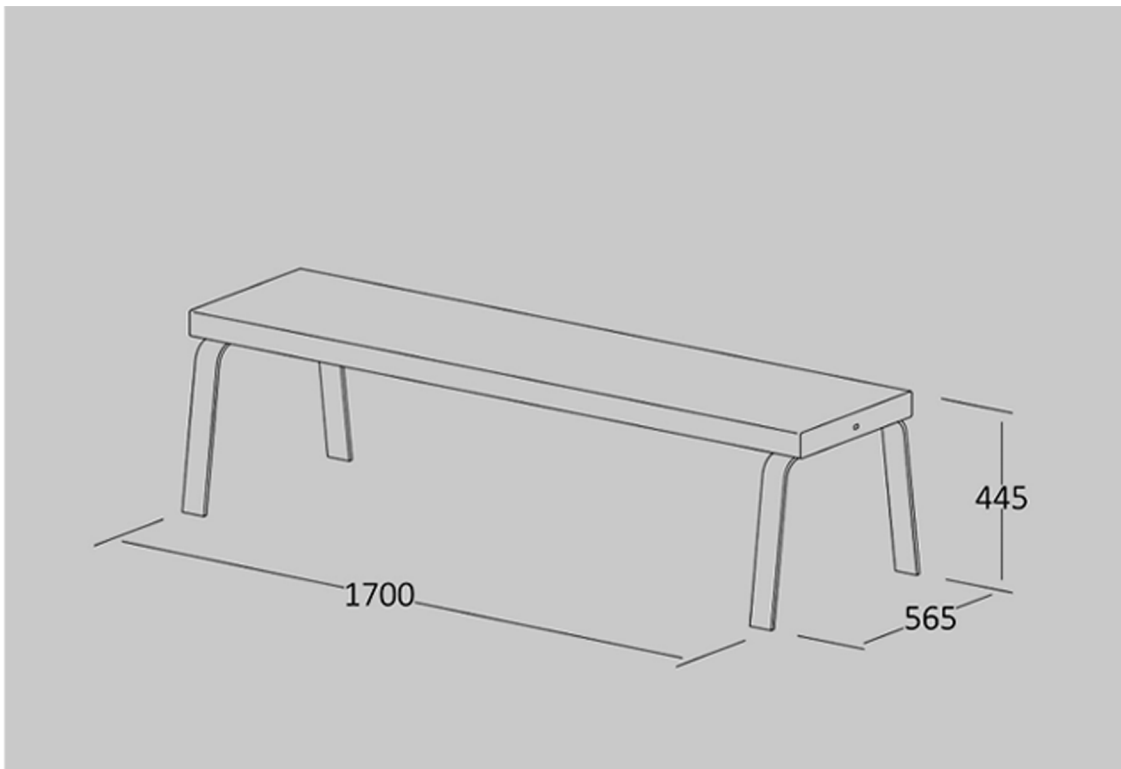
Technical specification



## DIMENSIONS:

### 2. CLASSIC model 1 - smart solar board with standard legs:

- Weight: 44kg - smart solar board (32kg) + legs (2 x 6kg)
- Length: 1700mm
- Width: 565mm
- Height: 445mm



# SUN SEAT

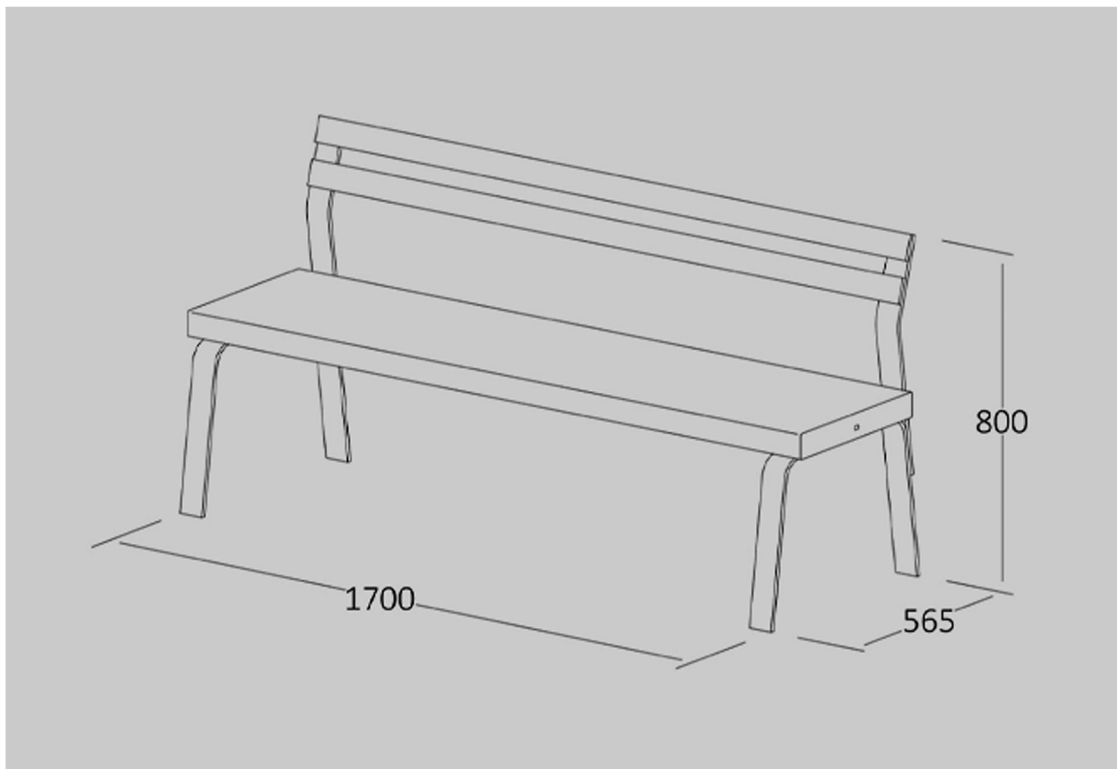
## Technical specification



### DIMENSIONS:

#### **CLASSIC model 2 - smart solar board with standard legs and backrest:**

- Weight: 64kg - smart solar board (32kg) + legs (2 x 6kg) + backrest (20kg)
- Length: 1700mm
- Width: 565mm
- Height: 800mm



# SUN SEAT

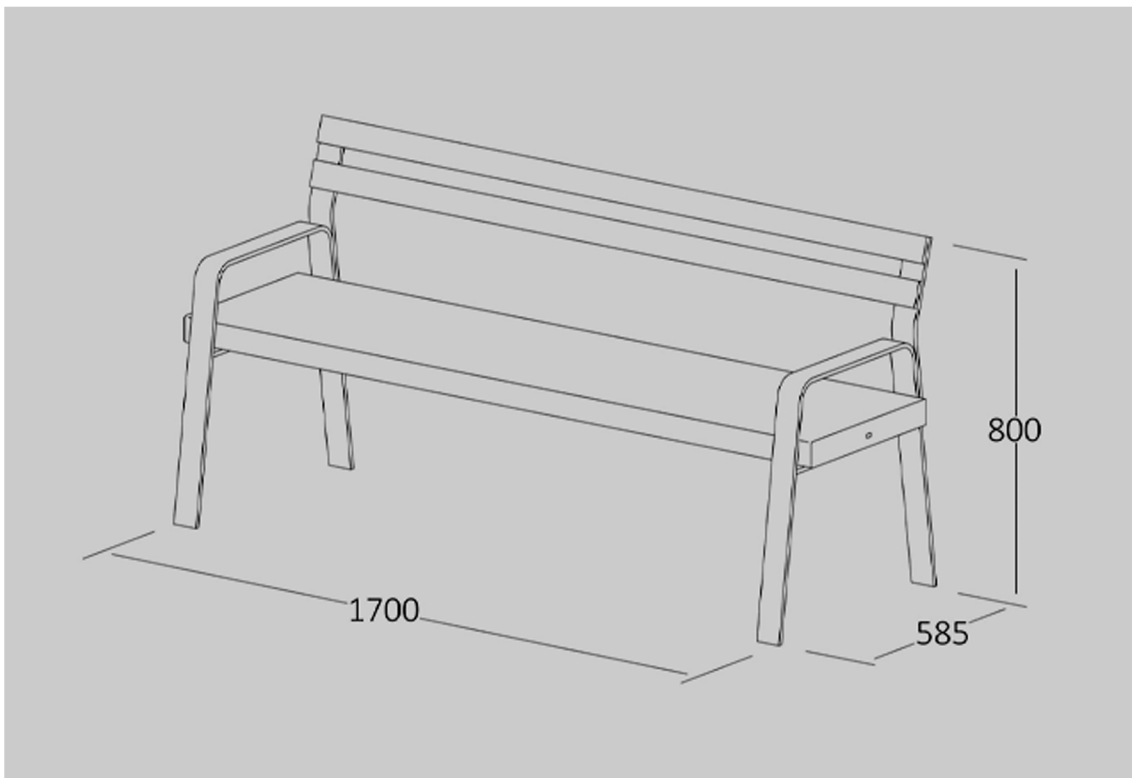
## Technical specification



### DIMENSIONS:

#### **CLASSIC model 3 - smart solar board with standard legs, backrest and armrest:**

- Weight: 70kg - smart solar board (32kg) + legs (2 x 9kg) + backrest (20kg)
- Length: 1700mm
- Width: 585mm
- Height: 800mm



# SUN SEAT

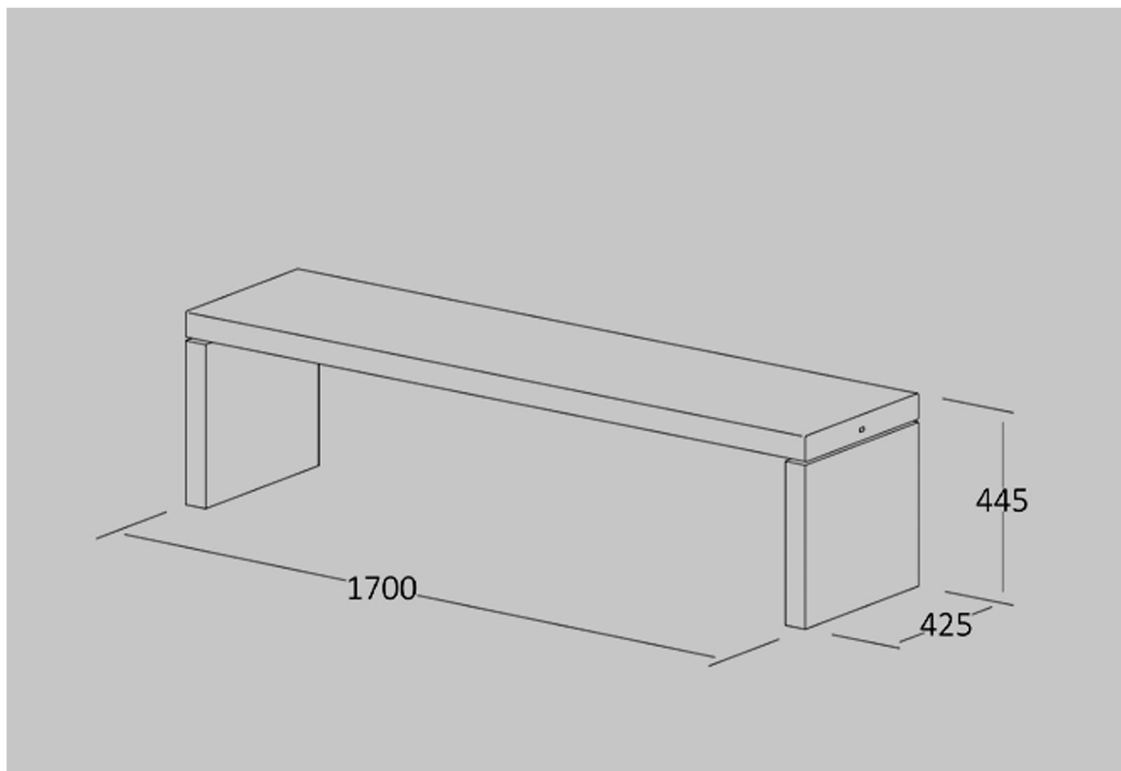
Technical specification



## DIMENSIONS:

### 3. Urban model - smart solar board with thick steel legs:

- Weight: 52kg - smart solar board (32kg) + 2 thick steel legs (2 x 10kg)
- Length: 1700mm
- Width: 425mm
- Height: 445mm



# SUN SEAT

## Technical specification

**Construction material:**

Steel

**Finish:**

Powdercoating

**Standard colour: RAL 7016 smooth matt**

(other colours are available upon request)

**Seating surface:**

Transparent acrylic glass (PMMA)

**Packaging:**

Cardboard box

**FEATURES AND ELEMENTS:**

Basic model	
Solar Panel	80W
Li-Ion Battery	20Ah
2x Qi Wireless Chargers	15W fast charge
Additional features	
Additional Battery	20Ah
LED	
4x USB	(2xUSB-A, 2xUSB-C)
WiFi	Smart & customisable Landing page
AQ Sensors (PM)	PM1.0, PM2.5, PM4 and PM10
Hybrid	Only for Urban model
Additional elements	
Legs	Powdercoated steel
Backrest	Powdercoated steel
Armrest	Powdercoated steel
Box legs	Powdercoated steel

